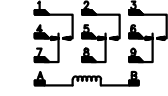


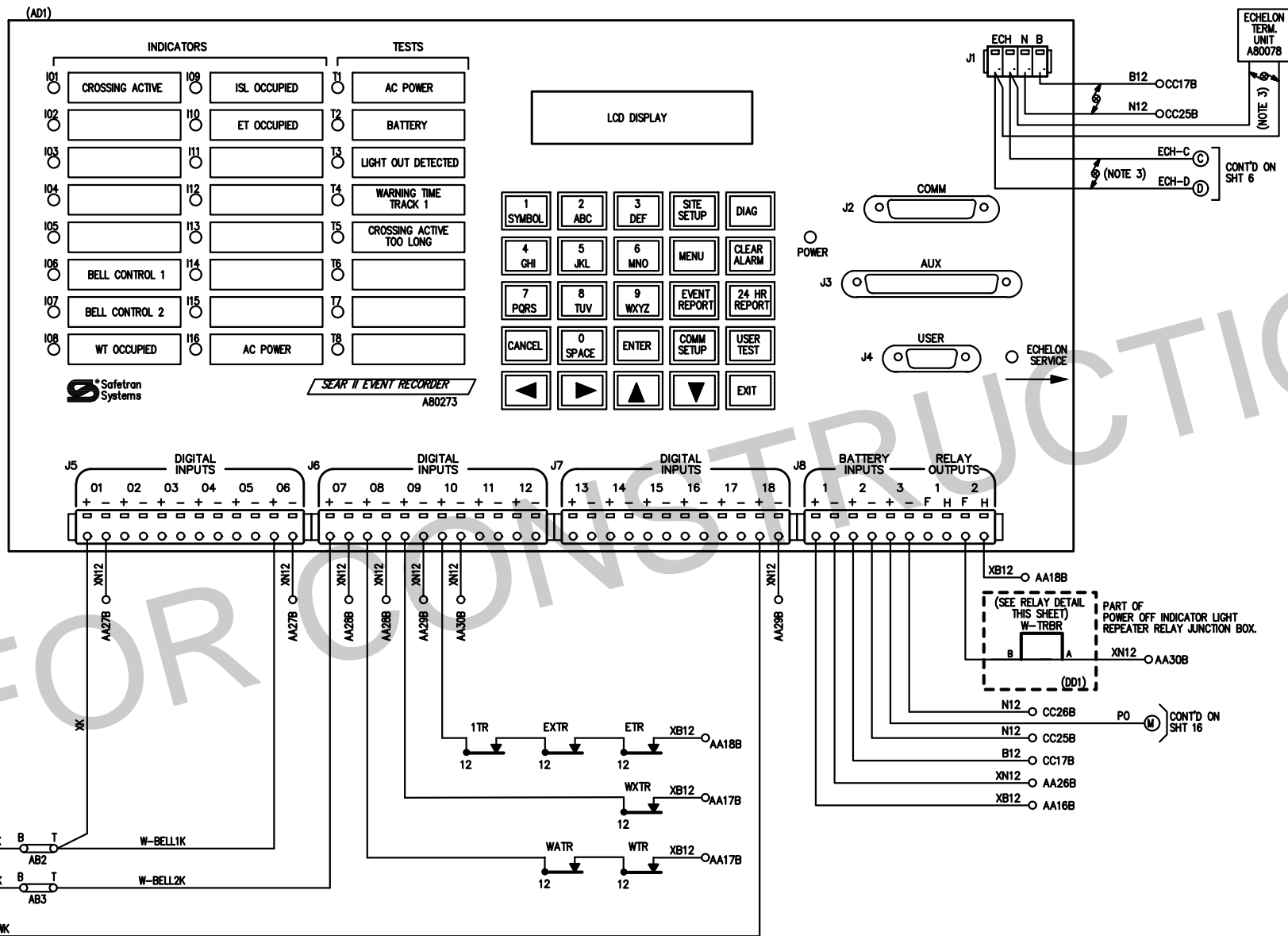
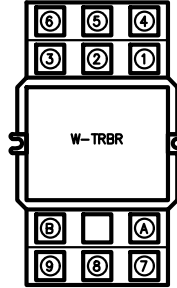
RELAY DETAIL

RELAY - POTTER & BRUMFIELD
 MODEL KUMP-14D18-12 SOCKET MOUNTABLE
 12 VDC W/ 3 FORM C CONTACTS.
 SOCKET - SCREW TERMINAL
 MODEL 27E121.

RELAY WIRING DIAGRAM (REAR VIEW)



NOTE:
 SOCKET NUMBERING CORRESPONDS
 DIRECTLY WITH RELAY NUMBERING.
 (COIL SHOWN ENERGIZED)



- NOTES:
 1) ALL WIRING #16 AWG UNLESS OTHERWISE NOTED.
 2) ⚡ DENOTES TWISTED PAIRS.
 3) USE BELDEN CABLE, PART #8461-u500-60 FOR ALL ECHELON AND LAN WIRING.

B.M. ELEV.			
CONSTRUCTION COMPLETION DATE: YYYY MM DD			
0	ISSUED FOR TENDER	2020-01-31	WSP
NO.	REVISIONS	DATE	BY

DESIGNED BY	JAB(WSP)
CHECKED BY	HH(WSP)
DRAWN BY	JAB(WSP)
APPROVED BY	RY(WSP)
SCALE: HORIZONTAL	NTS
VERTICAL	NTS
DATE	2020 01 31
PLOT DATE:	2020 01 31

ENGINEER'S SEAL
CONSULTANT DRAWING NUMBER
GWWD067.23PA008_SW

THE CITY OF WINNIPEG
 WATER AND WASTE DEPARTMENT
 ENGINEERING DIVISION

THE GREATER WINNIPEG WATER DISTRICT RAILWAY
 PTH 1 HIGHWAY CROSSING WARNING SYSTEMS Mi.67.18 & Mi.67.28

Mi.67.18 WESTBOUND SEARII CIRCUITS

SHEET 8 OF 20
 CITY DRAWING NUMBER
 1-0754R-E0008-001